

**3/2 and 5/2 Valves
Pneumatically actuated
Soft seal spool valve
Port sizes G1/4 and G1/2**

- High flow values
- With and without return spring
- Easy-to-service design
- Maintenance free
- Also suited for coarse vacuum,
except types 4021330, 4022030, 4031330, 4032030


Technical data

Operating medium:

Directional valve for filtered, lubricated¹⁾ or non-lubricated air

Action:

Soft seal spool valve, directly controlled

Mounting position:

Optional

Flow direction:

Optional

Port size:

G1/4, G1/2

Operating pressure:

Max. 16 bar

Temperature range:

-10 °C* to +60 °C

*With minus temperatures, use conditioned dry air.

If installed in the open protect all connections against the penetration of moisture!

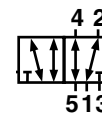
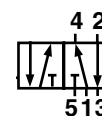
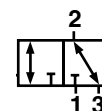
Material:

Housing: Aluminium

Seal: NBR (Perbunan)

Ordering example

3/2 directional control valve, port size G1/4, nominal size 6 mm, port size 3 throttleable: Type **4021430**



¹⁾ Oil recommendation: Shell Hydrol DO 32, Esso Febis (as of July 1992) or comparable oils with DVI values < 8 (DIN 53521) and ISO viscosity class 32-46 (DIN 51519).



General information

3/2 way valves

Symbol	Type	Port size	Nominal size	Operating pressure (bar)		Pilot pressure (bar)		Flow (l/min)	Weight (kg)	Dimensional drawing
				Min.	Max.	Min.	Max.			
	4021330 ²⁾	G1/4	6	1	16	1,5 ¹⁾	16	1200	0,28	M01
	4022030 ²⁾	G1/2	12	1,5	16	1,5 ¹⁾	16	3000	0,55	M01
	4021430 ³⁾	G1/4	6	0	16	1,5	16	1200	0,28	M02
	4022130 ³⁾	G1/2	12	0	16	1,5	16	3000	0,56	M02
	4021331 ³⁾	G1/4	6	0	16	2,5	16	1200	0,28	M03
	4022031 ³⁾	G1/2	12	0	16	2,5	16	3000	0,56	M03

5/2 way valves

Symbol	Type	Port size	Nominal size	Operating pressure (bar)		Control pressure (bar)		Flow (l/min)	Weight (kg)	Dimensional drawing
				Min.	Max.	Min.	Max.			
	4031330 ³⁾	G1/4	6	1	16	1,5 ¹⁾	16	1200	0,36	M04
	4032030 ⁴⁾	G1/2	12	2	16	1,5 ¹⁾	16	3000	0,63	M04
	4031430 ⁴⁾	G1/4	6	0	16	1,5	16	1200	0,49	M05
	4032130 ⁴⁾	G1/2	12	0	16	1,5	16	3000	0,76	M05
	4031331 ⁴⁾	G1/4	6	0	16	2,5	16	1200	0,49	M06
	4032031 ⁴⁾	G1/2	12	0	16	2,5	16	3000	0,76	M06

- 1) Control pressure must be \geq operating pressure, however at least 1.5 bar
- 2) Port 3 not throttleable
- 3) Port 3 throttleable
- 4) Port 3 and 5 throttleable

Warning

These products are intended for use in industrial compressed air systems only. Do not use these products where pressures and temperatures can exceed those listed under 'Technical Data'.

Before using these products with fluids other than those specified, for non-industrial applications, life-support systems, or other applications not within published specifications, consult NORGREN.

Through misuse, age, or malfunction, components used in fluid power systems can fail in various modes. The system designer is warned to consider the failure modes of

all component parts used in fluid power systems and to provide adequate safeguards to prevent personal injury or damage to equipment in the event of such failure.

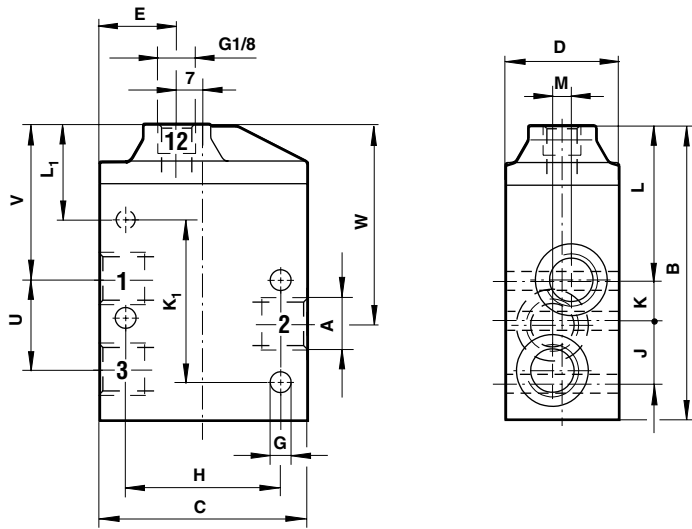
System designers must provide a warning to end users in the system instructional manual if protection against a failure mode cannot be adequately provided.

System designers and end users are cautioned to review specific warnings found in instruction sheets packed and shipped with these products where applicable.



Dimensional drawings

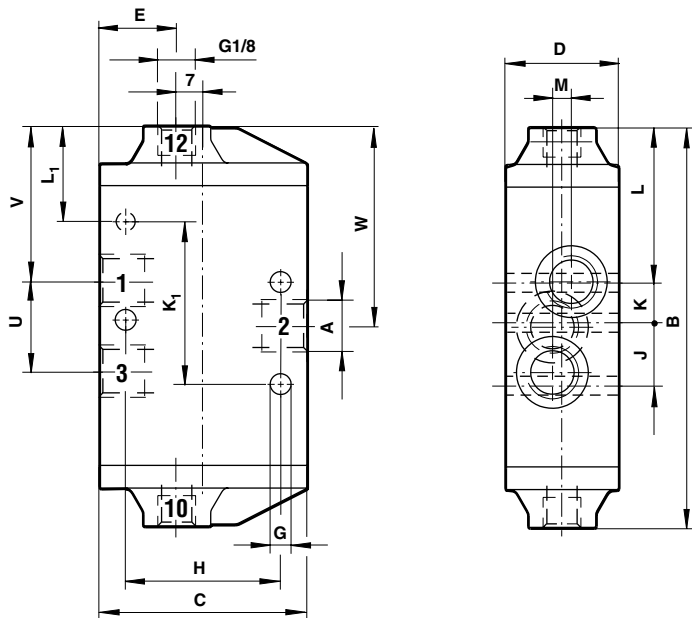
M01



All dimensions
in mm

Type	A	B	C	D	E	G	H	J	K	K ₁	L	L ₁	M	U	V	W
4021300	G1/4	75	55	30	20,5	5,5	41	17	10	–	40,5	–	5	24	40	52
4022030	G1/2	103	65	35	25,5	7	46	–	–	46	–	25,5	2,4	33	41	53

M02



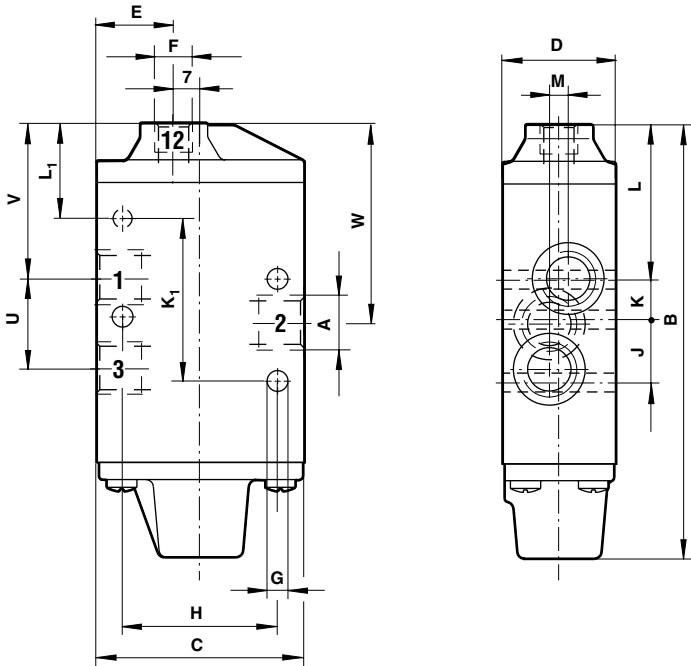
All dimensions
in mm

Type	A	B	C	D	E	G	H	J	K	K ₁	L	L ₁	M	U	V	W
4021430	G1/4	106	55	30	20,5	5,5	41	17	10	–	41,5	–	5	24	41	53
4022130	G1/2	115	65	35	25,5	7	46	–	–	46	–	25,5	2,4	33	41	55



Dimensional drawings

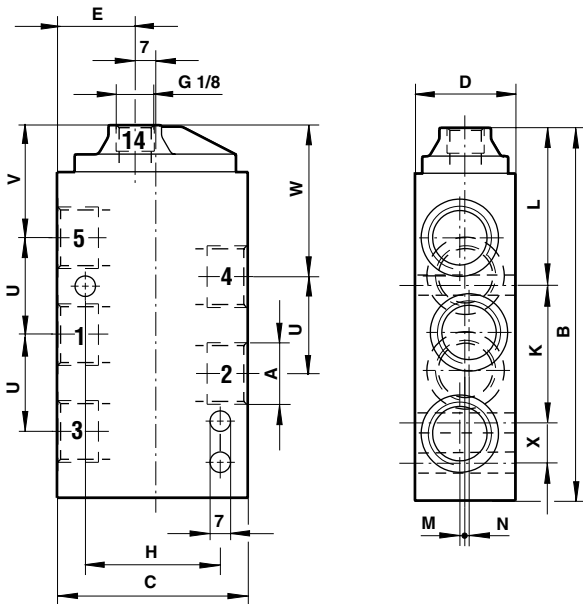
M03



All dimensions
in mm

Type	A	B	C	D	E	F	G	H	J	K	K ₁	L	L ₁	M	U	V	W
4021331	G1/4	115	55	30	20,5	G1/4	5,5	41	17	10	–	41,5	–	5	24	41	53
4022031	G1/2	124	65	35	25,5	G1/4	7	46	–	–	46	–	25,5	–	33	41	55

M04



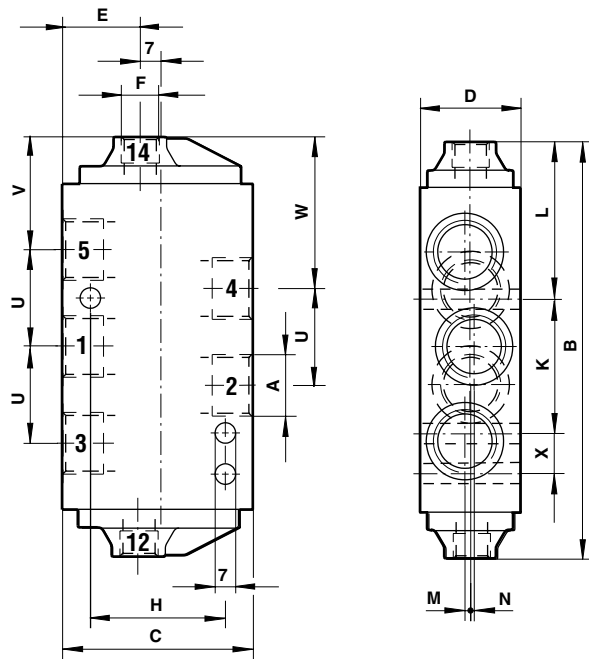
All dimensions
in mm

Typ	A	B	C	D	E	H	K	L	M	N	U	V	W	X
4031330	G1/4	99	55	30	20,5	40	67	27	2,5	2,5	24	40	52	–
4032030	G1/2	131	65	35	25,5	46	46	55	2,0	1,2	33	38,5	51,5	14



Dimensional drawings

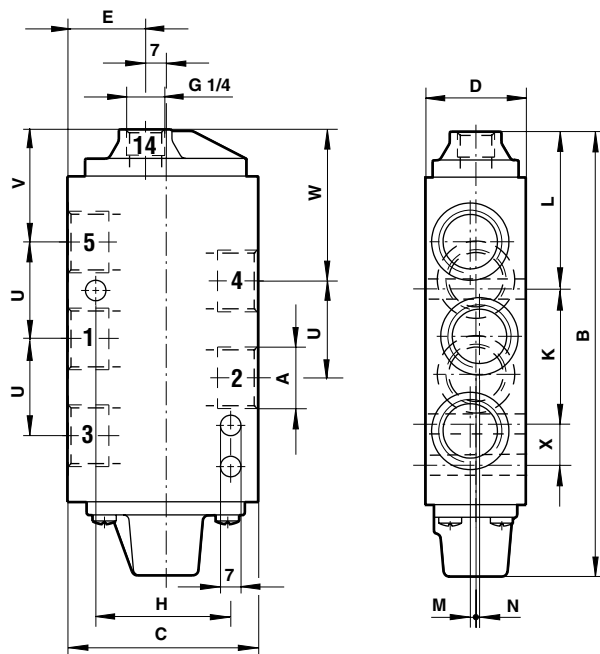
M05



All dimensions in mm

Typ	A	B	C	D	E	F	H	K	L	M	N	U	V	W	X
4031430	G1/4	134	55	30	20,5	G1/8	40	67	30	2,5	2,5	24	40	55	-
4032130	G1/2	143	65	35	25,5	G1/4	46	46	55	2,0	1,2	33	38,5	51,5	14

M06



All dimensions in mm

Typ	A	B	C	D	E	H	K	L	M	N	U	V	W	X
4031331	G1/4	143	55	30	20,5	40	67	30	2,5	2,5	24	43	55	-
4032031	G1/2	152	65	35	25,5	46	46	55	2,0	1,2	33	38,5	51,5	14





